



EM-125FYII-N

New Product 新制品

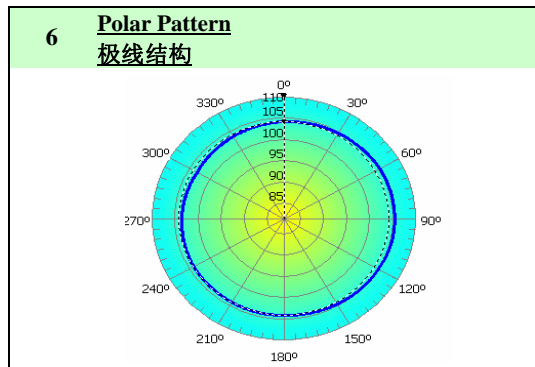
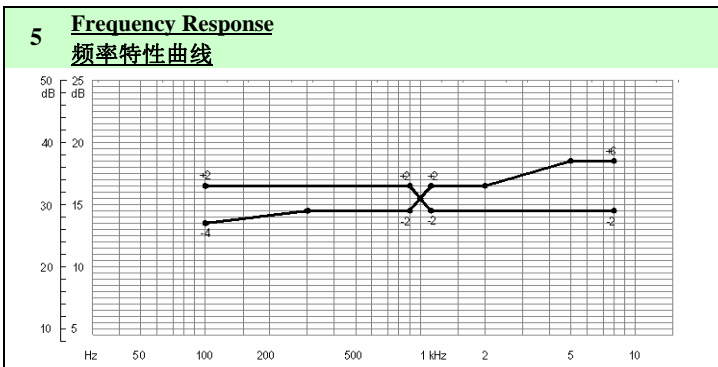
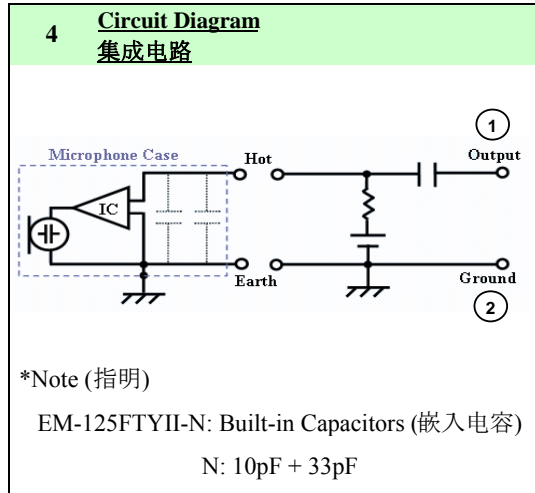
1 General Description
品格介绍

Application : Conference Phone, Voice Recorder, Home surveillance camera, Hearing Aid, Car Kit, Headphone, etc...
 用途: 会议电话机, 录音机, 住宅安全监通话机, 助听器, 耳机汽车通讯器材, 类似等等...

2 Appearance and Mechanical Dimension
外观. 尺寸图形

3 Specifications
规格

2-1 Directivity (方向特性)	: Omni-Directional (全向)
2-2 Sensitivity at 1kHz (灵敏度) (ref. 0dB=1V/Pa)	: -43.0 ± 3.0dB
2-3 Operational Setting (操作设立集)	: $R_L=2.0k\Omega$ $V_{cc}=3.0V$
2-4 Impedance (阻抗)	: 1.6k Ω
2-5 Current Consumption (电流消耗)	: Max. 400 μ A
2-6 Built-in Capacitor (嵌入电容)	: J \rightarrow 10pF, K \rightarrow 33pF [N \rightarrow (10pF + 33pF)]
2-7 Signal Noise Ratio (信噪比)	: More than 58dB
2-8 Sound Pressure Level (音压)	: Max. 115dB SPL



PRIMO MICROPHONES SINGAPORE (PTE) LTD
 171, Kallang Way, #02-05/06. Singapore 349250.
 TEL: (65) 6747 3586 FAX: (65) 6744 3597
 E-mail: pmsls@singnet.com.sg
 Website: http://www.primo.com.sg

PRIMO MICROPHONES (HK) CO., LTD
 Unit No: 1705, Level 17, Tower II
 Grand Central Plaza, Shatin N.T Hong Kong
 TEL: (852) 21449651 / 21449756 FAX: (852) 21449836
 E-mail: pmhk8988@netvigator.com