

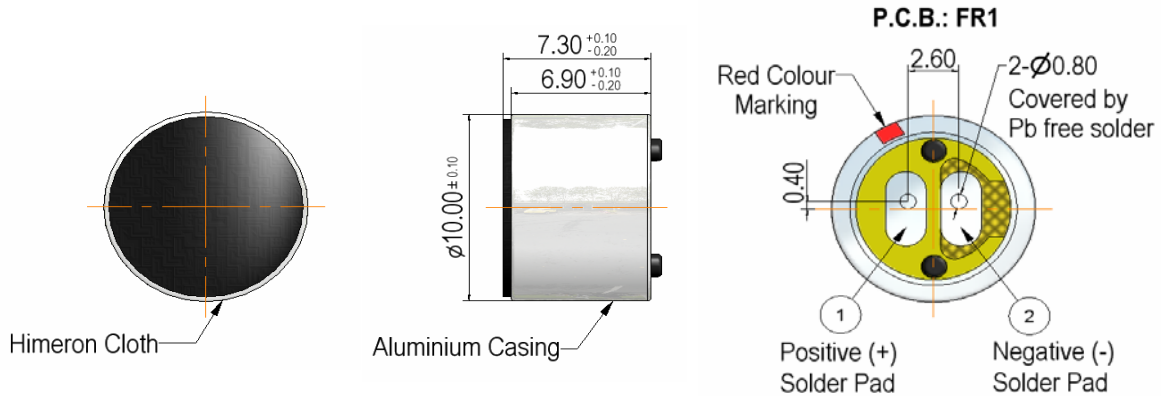


EM-8006FPXD

1 General Description 品格介绍

Application : Conference Phone, Voice Recorder, Home surveillance camera, Hearing Aid, Car Kit, Headphone, etc...
用途: 会议电话机, 录音机, 住宅安全监通话机, 助听器, 耳机汽车通讯器材, 类似等等...

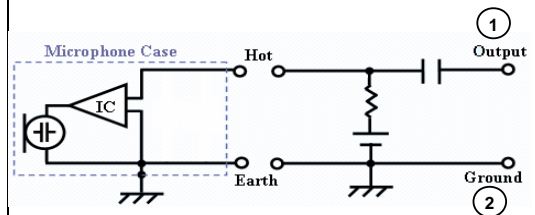
2 Appearance and Mechanical Dimension 外观. 尺寸图形



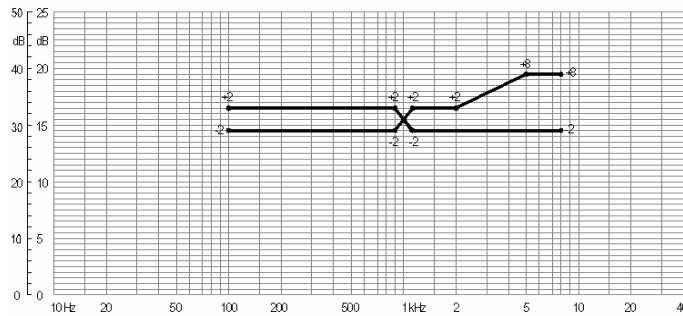
3 Specifications 规格

- | | |
|---|------------------------------|
| 2-1 Directivity (方向特性) | : Omni-Directional (全向) |
| 2-2 Sensitivity at 1kHz (灵敏度)
(ref. 0dB=1V/Pa) | : -38.5 ± 2.0 dB |
| 2-3 Operational Setting (操作设立集) | : $RL=2.0k\Omega$ $VCC=1.5V$ |
| 2-4 Impedance (阻抗) | : Less than $2.0k\Omega$ |
| 2-5 Current Consumption (电流消耗) | : Max. $300\mu A$ |
| 2-6 Signal Noise Ratio (信噪比) | : More than 60.0 dB |
| 2-7 Sound Pressure Level (音压) | : Max. 120 dB SPL |

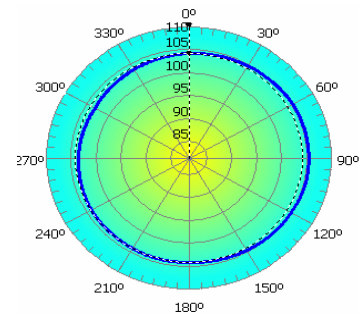
4 Circuit Diagram 集成电路



5 Frequency Response 频率特性曲线



6 Polar Pattern 极线结构



PRIMO MICROPHONES SINGAPORE (PTE) LTD
171, Kallang Way, #02-05/06. Singapore 349250.
TEL: (65) 6747 3586 FAX: (65) 6744 3597
E-mail: pmsls@singnet.com.sg
Website: <http://www.primo.com.sg>

PRIMO MICROPHONES (HK) CO., LTD
Unit No: 1705, Level 17, Tower II
Grand Central Plaza, Shatin N.T Hong Kong
TEL: (852) 21449651 / 21449756 FAX: (852) 21449836
E-mail: pmhk8988@netvigator.com