

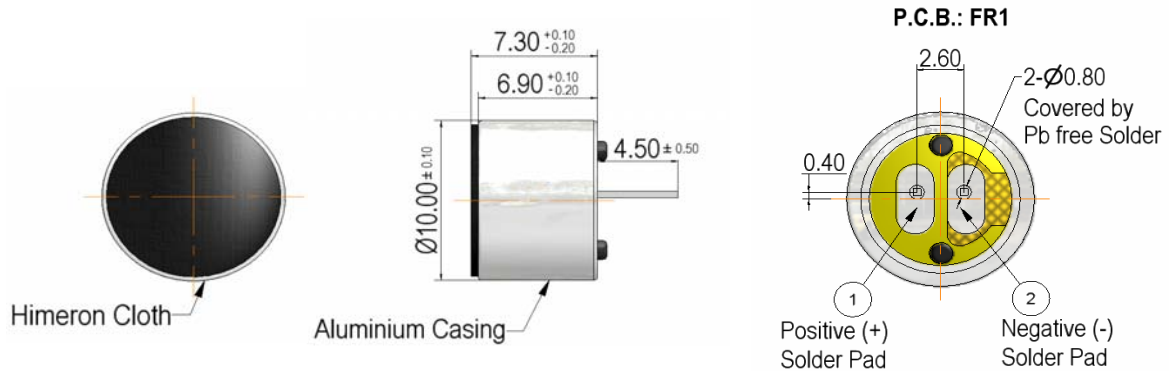


EM-8006FPXT

1 General Description 品格介绍

Application : Conference Phone, Voice Recorder, Home surveillance camera, Hearing Aid, Car Kit, Headphone, etc...
用途: 会议电话机, 录音机, 住宅安全监通话机, 助听器, 耳机汽车通讯器材, 类似等等...

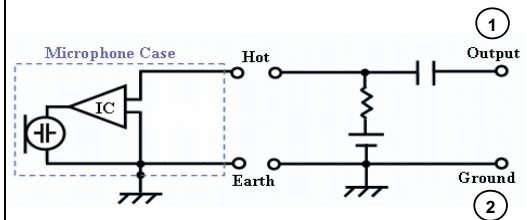
2 Appearance and Mechanical Dimension 外观. 尺寸图形



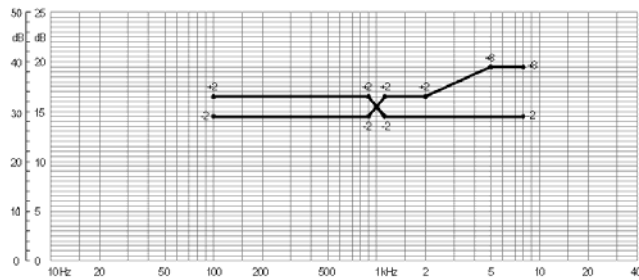
3 Specifications 规格

- 2-1 Directivity (方向特性) : Omni-Directional (全向)
- 2-2 Sensitivity at 1kHz (灵敏度) : $-40.0 \pm 3.0\text{dB}$
(ref. $0\text{dB}=1\text{V/Pa}$)
- 2-3 Operational Setting (操作设立集) : $R_L=2.0\text{k}\Omega$ $V_{CC}=1.5\text{V}$
- 2-4 Impedance (阻抗) : Less than $2.0\text{k}\Omega$
- 2-5 Current Consumption (电流消耗) : Max. $300\mu\text{A}$
- 2-6 Signal Noise Ratio (信噪比) : More than 60.0dB
- 2-7 Sound Pressure Level (音压) : Max. 120dB SPL

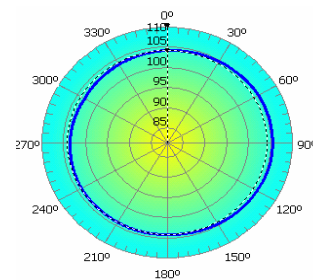
4 Circuit Diagram 集成电路



5 Frequency Response 频率特性曲线



6 Polar Pattern 极线结构



PRIMO MICROPHONES SINGAPORE (PTE) LTD
171, Kallang Way, #02-05/06. Singapore 349250.
TEL: (65) 6747 3586 FAX: (65) 6744 3597
E-mail: pmsls@singnet.com.sg
Website: <http://www.primo.com.sg>

PRIMO MICROPHONES (HK) CO., LTD
Unit No: 1705, Level 17, Tower II
Grand Central Plaza, Shatin N.T Hong Kong
TEL: (852) 21449651 / 21449756 FAX: (852) 21449836
E-mail: pmhk8988@netvigator.com