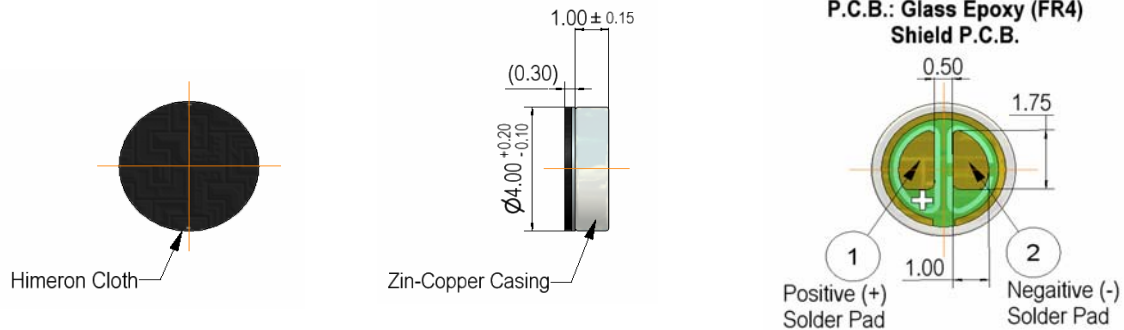




**1 General Description**  
**品格介绍**

Application : Conference Phone, Voice Recorder, Home surveillance camera, Hearing Aid, Car Kit, Headphone, etc...  
用途: 会议电话机, 录音机, 住宅安全监通话机, 助听器, 耳机汽车通讯器材, 类似等等...  
Features : Miniature, Space Saving  
用途: 特小型, 空间俭省

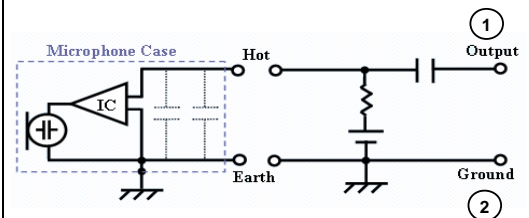
**2 Appearance and Mechanical Dimension**  
**外观. 尺寸图形**



**3 Specifications**  
**规格**

- 2-1 Directivity (方向特性) : Omni-Directional (全向)
- 2-2 Sensitivity at 1kHz (灵敏度) :  $-42.0 \pm 3.0\text{dB}$   
(ref. 0dB=1V/Pa)
- 2-3 Operational Setting (操作设立集) : RL=2.0k $\Omega$  Vcc=3.0V
- 2-4 Impedance (阻抗) : Less than 2.0k $\Omega$
- 2-5 Current Consumption (电流消耗) : Max. 400 $\mu\text{A}$
- 2-6 Built-in Capacitor (嵌入电容) : J  $\rightarrow$  10pF, K  $\rightarrow$  33pF  
[N  $\rightarrow$  (10pF + 33pF)]
- 2-7 Signal Noise Ratio (信噪比) : More than 56.0dB
- 2-8 Sound Pressure Level (音压) : Max. 130dB SPL

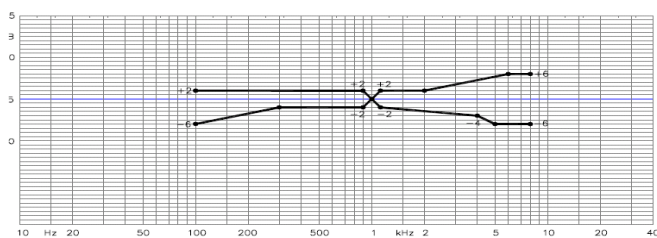
**4 Circuit Diagram**  
**集成电路**



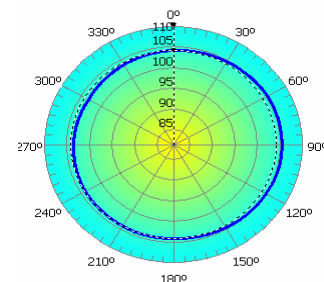
\*Note (指明)

EM-8021FYN: Built-in Capacitors (嵌入电容)  
N: 10pF + 33pF

**5 Frequency Response**  
**频率特性曲线**



**6 Polar Pattern**  
**极线结构**



PRIMO MICROPHONES SINGAPORE (PTE) LTD

171, Kallang Way, #02-05/06. Singapore 349250.  
TEL: (65) 6747 3586 FAX: (65) 6744 3597  
E-mail: pmsls@singnet.com.sg  
Website: http://www.primo.com.sg

PRIMO MICROPHONES (HK) CO., LTD

Unit No: 1705, Level 17, Tower II  
Grand Central Plaza, Shatin N.T Hong Kong  
TEL: (852) 21449651 / 21449756 FAX: (852) 21449836  
E-mail: pmhk8988@netvigator.com