

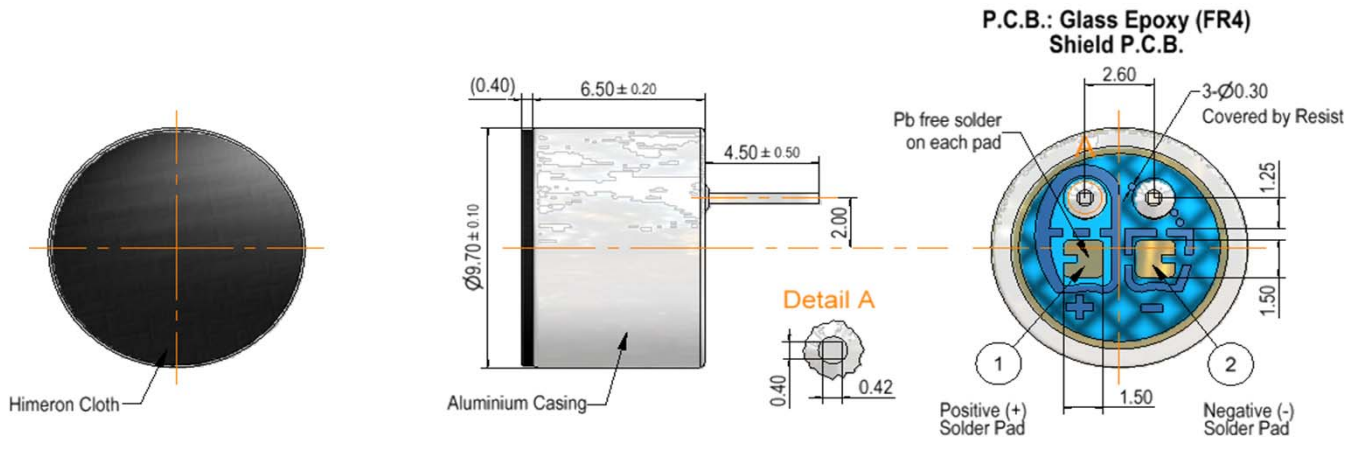


# EM-80FYIII-X7-N

## 1 General Description 规格介绍

Application : Conference Phone, Voice Recorder, Home Surveillance Camera, Hearing Aid, Car Kit, Headphone, etc...  
用途: 会议电话机, 录音机, 住宅安全监通话机, 助听器, 耳机汽车通讯器材, 类似等等...

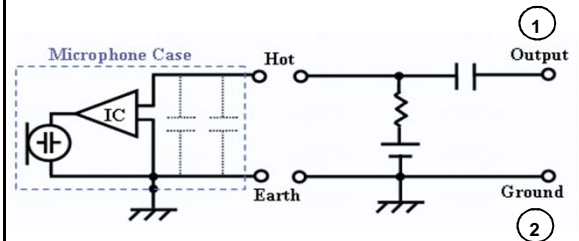
## 2 Appearance and Mechanical Dimension 外观. 尺寸图形



## 3 Specifications 规格

- |   |   |
|---|---|
| 2-1 Directivity (方向特性)                            | : Omni-Directional (全向)                     |
| 2-2 Sensitivity at 1kHz (灵敏度)<br>(ref. 0dB=1V/Pa) | : -42.0 ± 3.0dB                             |
| 2-3 Operational Setting (操作设立集)                   | : RL=2.2kΩ VCC=4.5V                         |
| 2-4 Impedance (阻抗)                                | : 2KΩ ± 30% at 1KHz                         |
| 2-5 Current Consumption (电流消耗)                    | : Max. 1mA                                  |
| 2-6 Built-in Capacitor (嵌入电容)                     | : J → 10pF, K → 33pF<br>[N → (10pF + 33pF)] |
| 2-7 Signal Noise Ratio (信噪比)                      | : More than 60dB                            |
| 2-8 Sound Pressure Level (音压)                     | : Max. 94dB SPL                             |

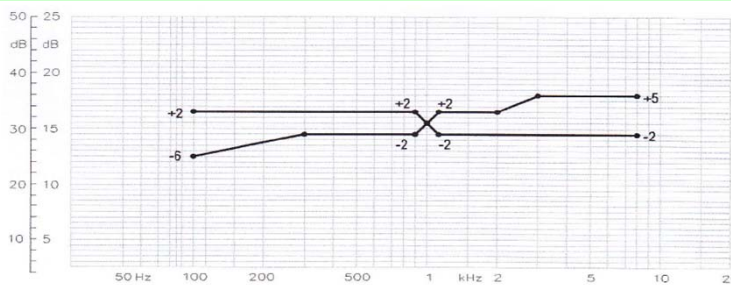
## 4 Circuit Diagram 集成电路



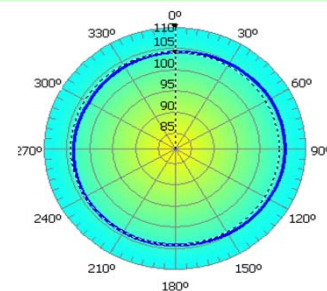
\*Note (指明)

EM-80FYIII-X7-N: Built-in Capacitors (嵌入电容)  
N: 10pF + 33pF

## 5 Frequency Response 频率特性曲线



## 6 Polar Pattern 极线结构



### PRIMO MICROPHONES SINGAPORE (PTE) LTD

171, Kallang Way, #02-05/06. Singapore 349250.  
TEL: (65) 6747 3586 FAX: (65) 6744 3597  
E-mail: pmsls@singnet.com.sg  
Website: http://www.primo.com.sg

### PRIMO MICROPHONES (HK) CO., LTD

Unit No: 1705, Level 17, Tower II  
Grand Central Plaza, Shatin N.T Hong Kong  
TEL: (852) 21449651 / 21449756 FAX: (852) 21449836  
E-mail: pmhk8988@netvigator.com