

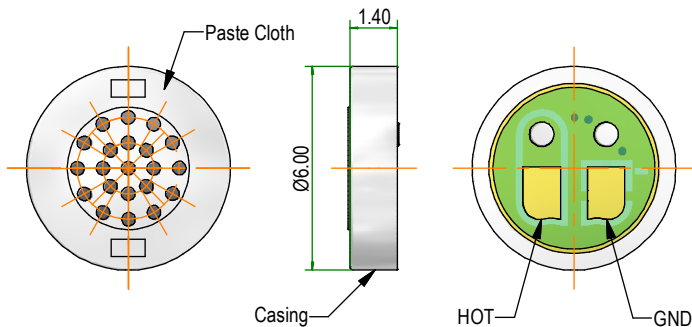


**Electret Condenser Microphone Unit  
EM-150FYN-RF**

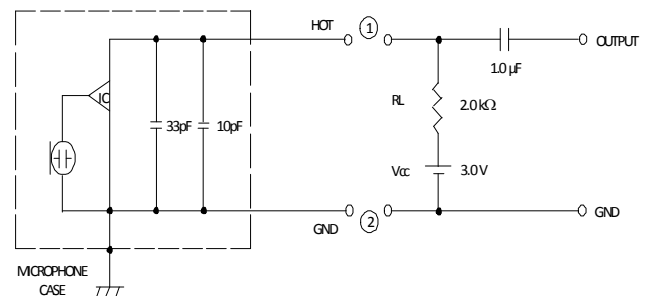
**1. Specification:**

- 1-1) Directivity [方向特性] ..... Omni Directional
- 1-2) Sensitivity [靈敏度] .....  $-45.0 \pm 3.0\text{dB}$ , (at  $f = 1\text{kHz}$ ,  $0\text{dB} = 1\text{V/Pa}$ ) Pressure Field Setup ( $L=0\text{mm}$ )  
 $V_{cc} = 3.0\text{V}$ ,  $R_L = 2.0\text{k}\Omega$
- 1-3) Output Impedance [阻抗] .....  $2.0\text{k}\Omega \pm 30\%$ , (at  $f = 1\text{kHz}$ )
- 1-4) S/N Ratio [信噪比] .....  $56.0\text{dB}$  or above, (at  $f = 1\text{kHz}$ ,  $1\text{Pa}$ ) (A Weighted)
- 1-5) Operating Voltage Range [工作電壓範圍] .....  $3.0\text{V}$  ( $1.2\text{V} \sim 10.0\text{V}$ )
- 1-6) Current Consumption [電流消耗] .....  $400\mu\text{A}$
- 1-7) Maximum Input Sound Pressure Level [音壓] .....  $120\text{dB S.P.L.}$  (at  $f = 1\text{kHz}$ )
- 1-8) Weight [重量] ..... Max  $0.13\text{g}$
- 1-9) Capacitor (Built in) [電容 (內置)] .....  $N : 33\text{pF} + 10\text{pF}$
- 1-10) Cloth [布] ..... Dust Cloth

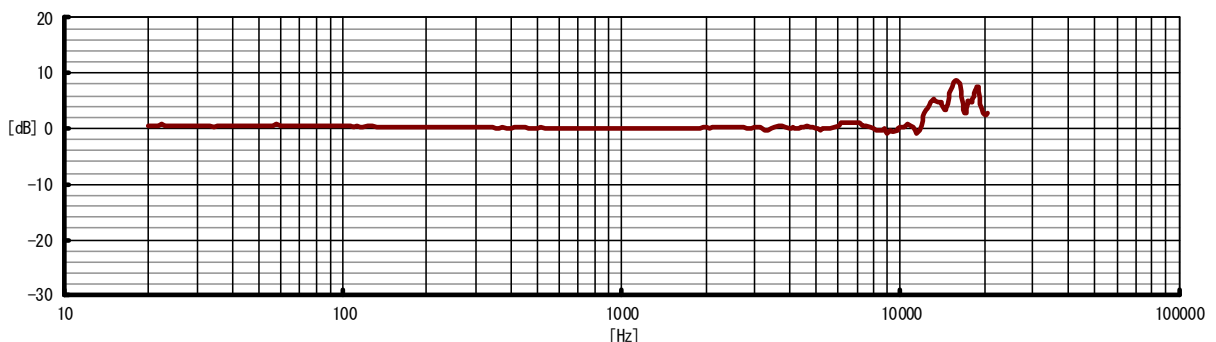
**2. Appearance and Dimension [mm]**



**3. Electrical Circuit**



**4. Frequency Response**



**PRIMO MICROPHONES SINGAPORE (PTE) LTD**  
 158 Kallang Way #06-07 PERFORMANCE BUILDING  
 SINGAPORE 349245  
 TEL: (65) 6747 3586 FAX: (65) 6744 3597  
 E-mail: pmsls@singnet.com.sg  
 Website: <http://www.primo.com.sg>

**PRIMO MICROPHONES (HK) CO., LTD**  
 Unit No. 815 - 816, 8/F, Shatin Galleria,  
 18 - 24 Shan Mei Street, Fotan, N.T. Hongkong  
 TEL: (852) 21449651 / 21449756 FAX: (852) 21449836  
 E-mail: pmhk@primomic.com.hk