



Electret Condenser Microphone Unit EM123T

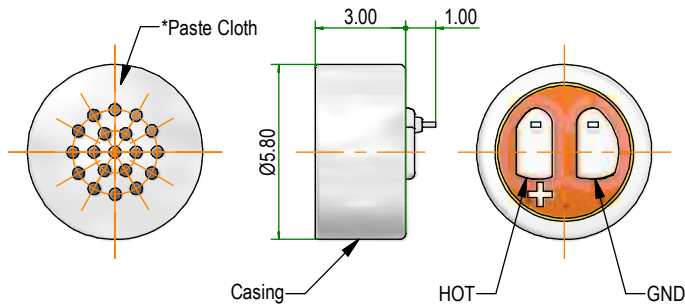
1. Specification:

- 1-1) Directivity [方向特性] Omni Directional
- 1-2) Sensitivity [靈敏度] $-43.0 \pm 3.0\text{dB}$, (at $f = 1\text{kHz}$, $0\text{dB} = 1\text{V/Pa}$) Pressure Field Setup ($L=0\text{mm}$)
 D : $-41.5 \pm 2.0\text{dB}$ (Red Marking), G : $-44.5 \pm 2.0\text{dB}$ (Blue Marking)
 $V_{cc} = 3.0\text{V}$, $R_L = 2.0\text{k}\Omega$
- 1-3) Output Impedance [阻抗] $1.6\text{k}\Omega \pm 30\%$, (at $f = 1\text{kHz}$)
- 1-4) S/N Ratio [信噪比] 58.0dB or above, (at $f = 1\text{kHz}$, 1Pa) (A Weighted)
- 1-5) Operating Voltage Range [工作電壓範圍] 3.0V ($1.1\text{V} \sim 10.0\text{V}$)
- 1-6) Current Consumption [電流消耗] $400\mu\text{A}$
- 1-7) Maximum Input Sound Pressure Level [音壓] 115dB S.P.L. (at $f = 1\text{kHz}$)
- 1-8) Weight [重量] Max 0.2g
- 1-9) Cloth [布] See Note*

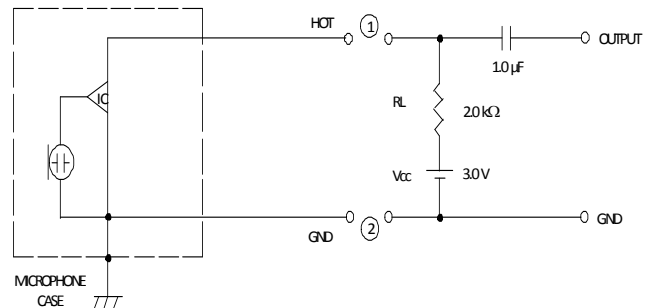
*** Note**

EM123T : None Cloth
 EM123TY : Dust Cloth

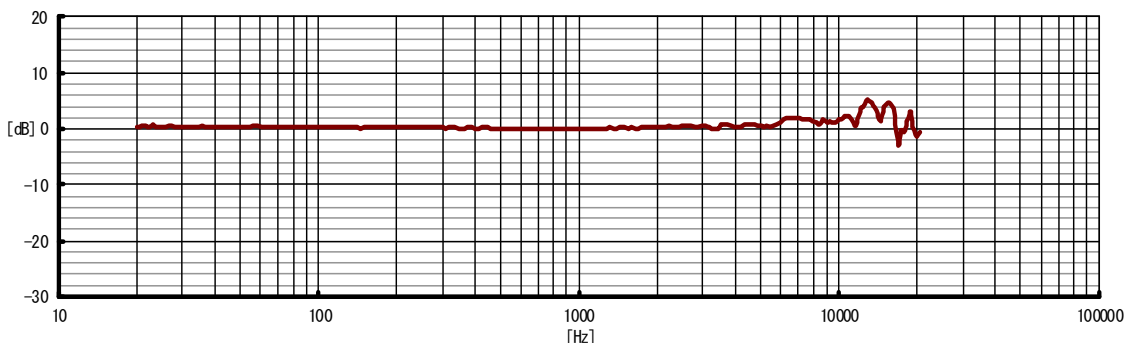
2. Appearance and Dimension [mm]



3. Electrical Circuit



4. Frequency Response



PRIMO MICROPHONES SINGAPORE (PTE) LTD
 158 Kallang Way #06-07 PERFORMANCE BUILDING
 SINGAPORE 349245
 TEL: (65) 6747 3586 FAX: (65) 6744 3597
 E-mail: pmsls@singnet.com.sg
 Website: <http://www.primo.com.sg>

PRIMO MICROPHONES (HK) CO., LTD
 Unit No. 815 - 816, 8/F, Shatin Galleria,
 18 - 24 Shan Mei Street, Fotan, N.T. Hongkong
 TEL: (852) 21449651 / 21449756 FAX: (852) 21449836
 E-mail: pmhk@primomic.com.hk