

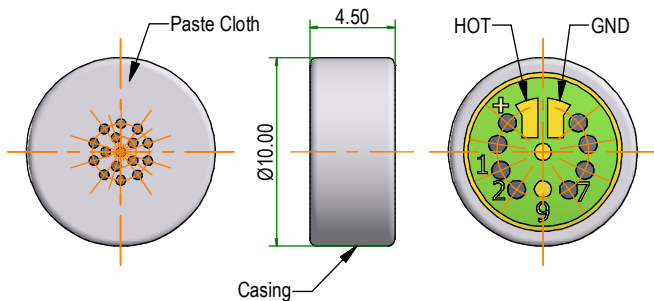


**Electret Condenser Microphone Unit  
EM297M1YZ1**

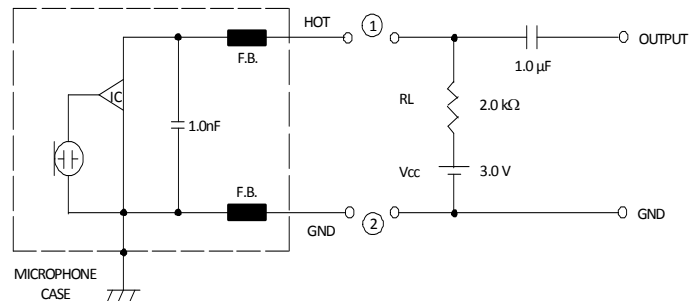
**1. Specification:**

- 1-1) Directivity [方向特性] ..... Uni Directional
- 1-2) Sensitivity [靈敏度] .....  $-32.0 \pm 2.0\text{dB}$ , (at  $f = 1\text{kHz}$ ,  $0\text{dB} = 1\text{V/Pa}$ ) Far Field Setup (L=50cm)  
 $V_{cc} = 3.0\text{V}$ ,  $R_L = 2.0\text{k}\Omega$
- 1-3) Directionality ..... Above  $12.0\text{dB}$  (at  $400\text{Hz} \sim 4000\text{Hz}$ ,  $180^\circ \pm 45^\circ$ )
- 1-4) Output Impedance [阻抗] .....  $1.4\text{k}\Omega \pm 30\%$ , (at  $f = 1\text{kHz}$ )
- 1-5) S/N Ratio [信噪比] ..... Typ.  $79.0\text{dB}$ , (at  $f = 1\text{kHz}$ ,  $1\text{Pa}$ ) (A Weighted)
- 1-6) Operating Voltage Range [工作電壓範圍] .....  $3.0\text{V}$  ( $2.0\text{V} \sim 10.0\text{V}$ )
- 1-7) Current Consumption [電流消耗] .....  $600\mu\text{A}$
- 1-8) Maximum Input Sound Pressure Level [音壓] .....  $115\text{dB S.P.L.}$  (at  $f = 1\text{kHz}$ )
- 1-9) Weight [重量] ..... Max  $0.9\text{g}$
- 1-10) Capacitor (Built in) [電容 (內置)] .....  $1.0\text{nF}$
- 1-11) Cloth [布] ..... Dust Cloth

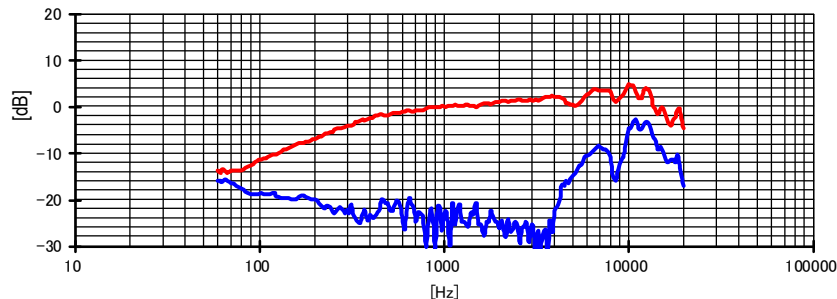
**2. Appearance and Dimension [mm]**



**3. Electrical Circuit**



**4. Frequency Response**



**PRIMO MICROPHONES SINGAPORE (PTE) LTD**  
 158 Kallang Way #06-07 PERFORMANCE BUILDING  
 SINGAPORE 349245  
 TEL: (65) 6747 3586 FAX: (65) 6744 3597  
 E-mail: pmsls@singnet.com.sg  
 Website: <http://www.primo.com.sg>

**PRIMO MICROPHONES (HK) CO., LTD**  
 Unit No. 815 - 816, 8/F, Shatin Galleria,  
 18 - 24 Shan Mei Street, Fotan, N.T. Hongkong  
 TEL: (852) 21449651 / 21449756 FAX: (852) 21449836  
 E-mail: pmhk@primomic.com.hk