



Electret Condenser Microphone Unit EM8028

1. Specification:

- 1-1) Directivity [方向特性] Omni Directional
- 1-2) Sensitivity [靈敏度] $-37.0 \pm 3.0\text{dB}$, (at $f = 1\text{kHz}$, $0\text{dB} = 1\text{V/Pa}$) Far Field Setup ($L=50\text{cm}$)
 $V_{cc} = 3.0\text{V}$, $R_L = 2.0\text{k}\Omega$
- 1-3) Output Impedance [阻抗] $1.4\text{k}\Omega \pm 30\%$, (at $f = 1\text{kHz}$)
- 1-4) S/N Ratio [信噪比] Typ. 72.0dB , (at $f = 1\text{kHz}$, $P_{in} = 1\text{Pa}$), (A Weighted)
- 1-5) Operating Voltage Range [工作電壓範圍] 3.0V ($1.5\text{V} \sim 10.0\text{V}$)
- 1-6) Current Consumption [電流消耗] $400\mu\text{A}$
- 1-7) Maximum Input Sound Pressure Level [音壓] 115dB S.P.L. (at $f = 1\text{kHz}$)
- 1-8) Weight [重量] Max 0.2g
- 1-9) Capacitor (Built in) [電容 (內置)] See Note*
- 1-10) Cloth [布] See Note**

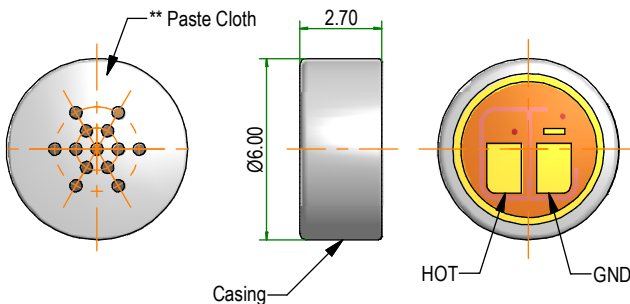
*** Note**

EM8028 : Built-in Capacitor = None
EM8028N : Built-in Capacitor = $33\text{pF} + 10\text{pF}$

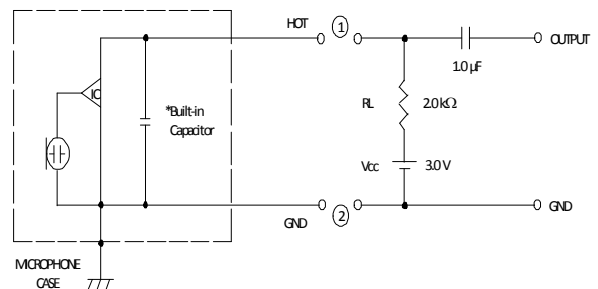
**** Note**

EM8028 : No Cloth
EM8028Y : Dust Cloth

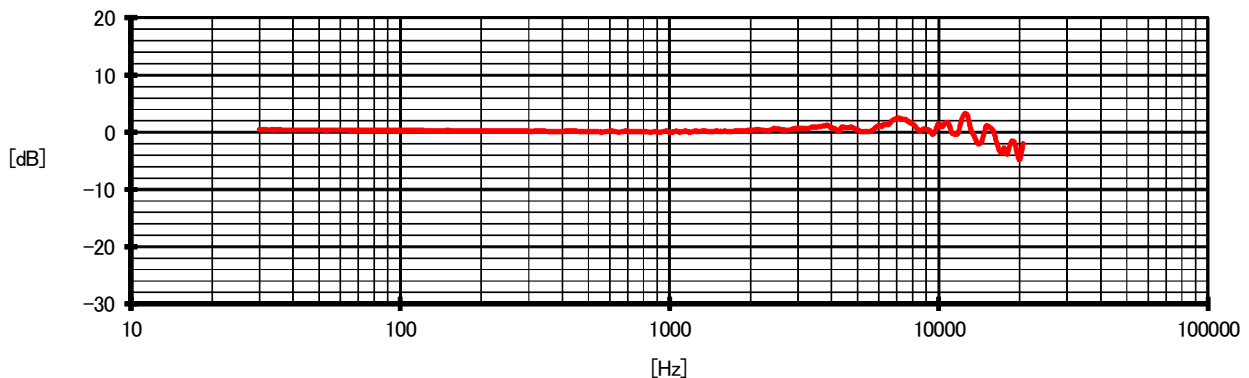
2. Appearance and Dimension [mm]



3. Electrical Circuit



4. Frequency Response



PRIMO MICROPHONES SINGAPORE (PTE) LTD
158 Kallang Way #06-07 PERFORMANCE BUILDING
SINGAPORE 349245
TEL: (65) 6747 3586 FAX: (65) 6744 3597
E-mail: pmsls@singnet.com.sg
Website: <http://www.primo.com.sg>

PRIMO MICROPHONES (HK) CO., LTD
Unit No. 815 - 816, 8/F, Shatin Galleria,
18 - 24 Shan Mei Street, Fotan, N.T. Hongkong
TEL: (852) 21449651 / 21449756 FAX: (852) 21449836
E-mail: pmhk@primomic.com.hk